

# Technical data sheet



## Product features

### Food display island chilled GN 4-1/1 Wenge

<b>Model</b>	<b>SAP Code</b>	00012102
--------------	-----------------	----------



- Buffet type: BLUE - cooled, dynamic cooling
- Device properties: Chilled
- Number of GN / EN: 4
- GN / EN size in device: GN 1/1
- GN device depth: 150
- Minimum device temperature [°C]: 4
- Maximum device temperature [°C]: 8

<b>SAP Code</b>	00012102	<b>Loading</b>	230 V / 1N - 50 Hz
<b>Net Width [mm]</b>	1494	<b>Number of GN / EN</b>	4
<b>Net Depth [mm]</b>	760	<b>GN / EN size in device</b>	GN 1/1
<b>Net Height [mm]</b>	1288	<b>GN device depth</b>	150
<b>Net Weight [kg]</b>	157.70	<b>Minimum device temperature [°C]</b>	4
<b>Power electric [kW]</b>	0.494	<b>Maximum device temperature [°C]</b>	8

# Technical data sheet



Technical drawing

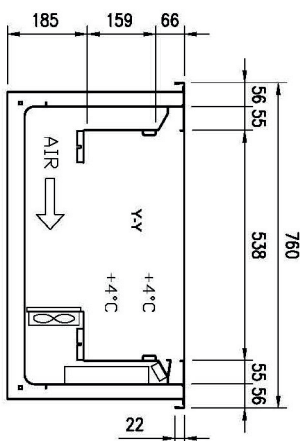
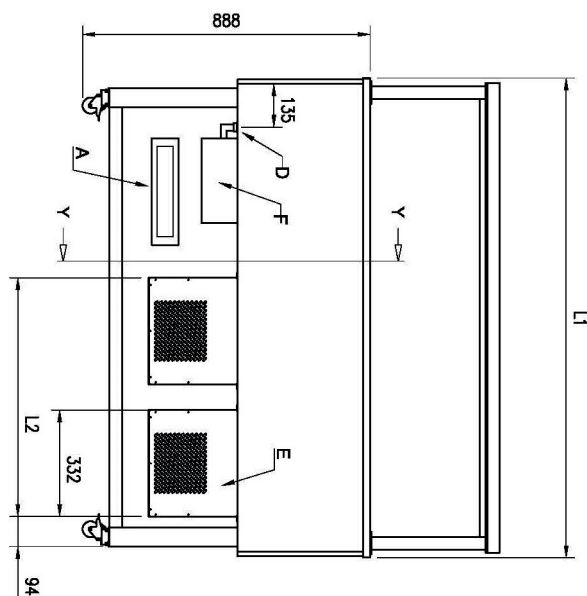
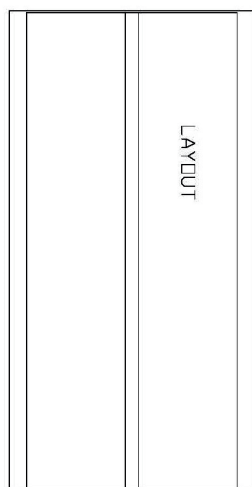
Food display island chilled GN 4-1/1 Wenge

Model

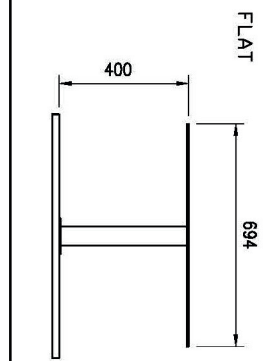
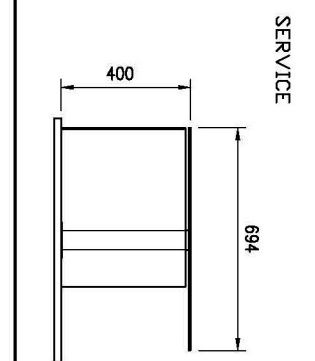
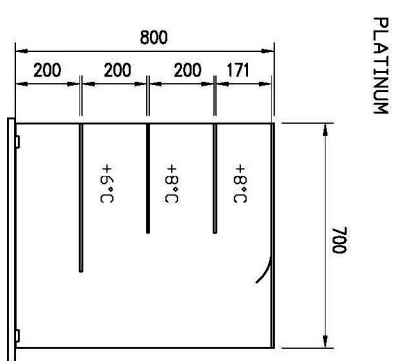
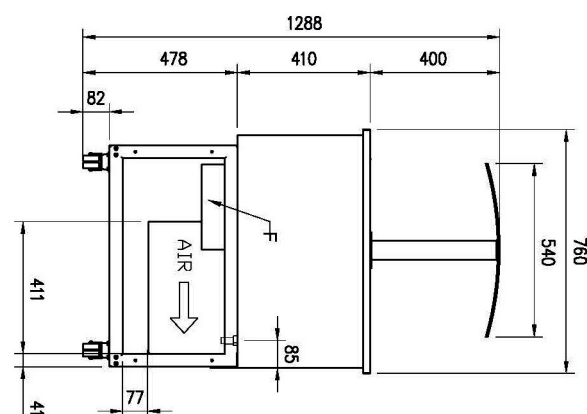
SAP Code

00012102

A= ELECTRICAL CONNECTION  
 D= WATER DISCHARGE ø16  
 E= GAS CONNECTION ø8 ø10  
 F= WATER BOX



GN	L1	L2
4/1	1494	744
6/1	2144	1069



# Technical data sheet



## Product benefits

### Food display island chilled GN 4-1/1 Wenge

Model

SAP Code

00012102

1

#### Dynamic cooling

constant temperature in all places of the refrigerated space

- greater hygienic safety of chilled food

2

#### All-stainless steel construction

harmless to health for contact with food  
robustness

- perfect sanitation
- long service life

3

#### Rounded corners

basins without sharp edges and corners

- higher hygienic safety
- time saving due to easy cleaning

4

#### GN insertion up to 150mm

variability of use

- possibility of cooling different types of food and larger volumes
- saving time, space, costs

5

#### LED lighting

variability of use

- economical lighting
- attractive appearance

6

#### Travel wheels

portable buffet table

- greater flexibility in dispensing
- possibility of use at banquets
- easier and safer handling

7

#### Breathing galley with trigger

galerka made of hygienic Plexiglas with motorized displacement

- hygienic food protection
- the possibility of sealing before dispensing - extending the shelf life of food

# Technical data sheet



## Technical parameters

### Food display island chilled GN 4-1/1 Wenge

Model

SAP Code

00012102

**1. SAP Code:**

00012102

**2. Net Width [mm]:**

1494

**3. Net Depth [mm]:**

760

**4. Net Height [mm]:**

1288

**5. Net Weight [kg]:**

157.70

**6. Gross Width [mm]:**

1558

**7. Gross depth [mm]:**

1012

**8. Gross Height [mm]:**

1100

**9. Gross Weight [kg]:**

163.00

**10. Device type:**

Electric unit

**11. Buffet type:**

BLUE - cooled, dynamic cooling

**12. Device properties:**

Chilled

**13. Exterior color of the device:**

Hemlock

**14. Power electric [kW]:**

0.494

**15. Loading:**

230 V / 1N - 50 Hz

**16. Number of GN / EN:**

4

**17. GN / EN size in device:**

GN 1/1

**18. GN device depth:**

150

**19. Minimum device temperature [°C]:**

4

**20. Maximum device temperature [°C]:**

8

**21. Interior lighting:**

No

**22. Cross-section of conductors CU [mm<sup>2</sup>]:**

0,5

- Výkon (kW): 2,4-3,3 (230 V)

**23. Refrigerant:**

R290